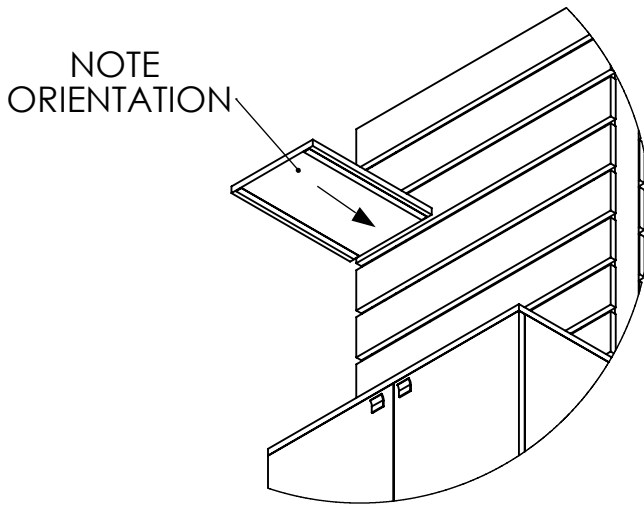


# PALLET

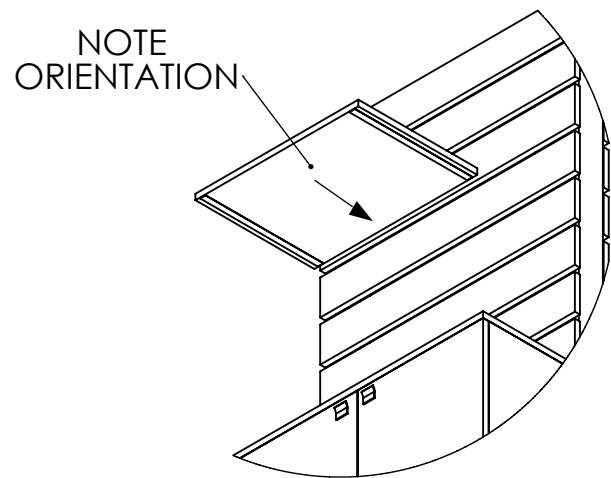
## SHELVES INSTALL INSTRUCTIONS

WADDELL.

All Pallet shelving is included with 3M Grip Tape that is applied to the bottom of the shelf. The Grip Tape allows the shelves to stay in their desired location and also makes users apply more force to pull the shelf out of the slats. This is important to note since the shelves go completely through the slats meaning items can be placed on either side of the display; the Grip Tape acts as a defense for users to not pull the shelves out without removing items from both sides of the display.



INSTALL DETAIL FOR A 12" SHELF



INSTALL DETAIL FOR A 24" SHELF

